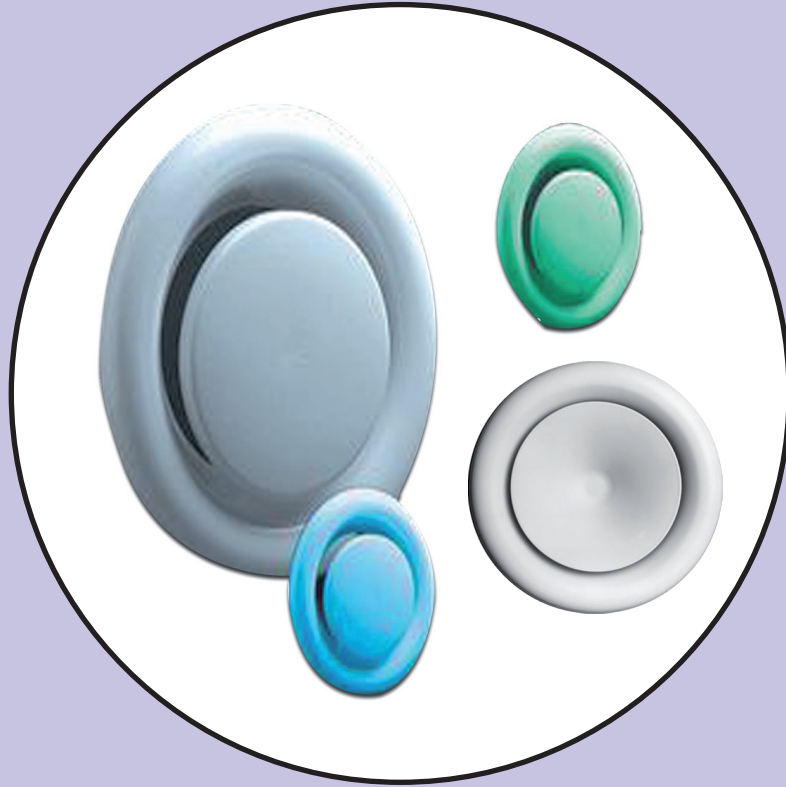


جي جي سي

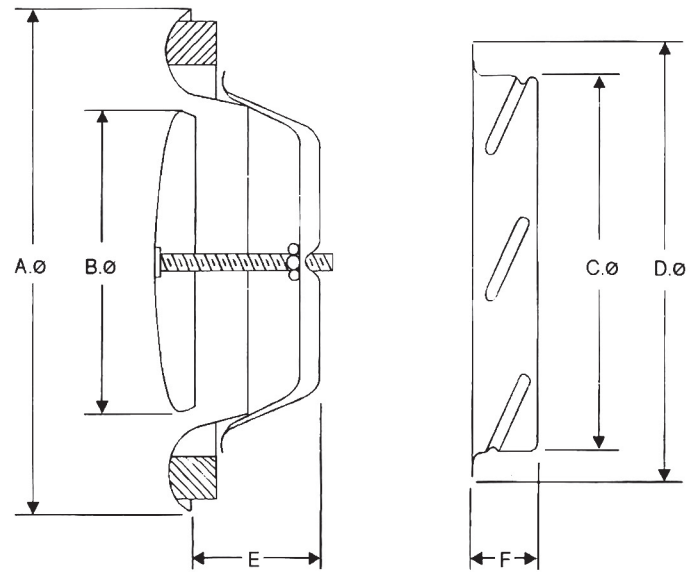
G G C

شركة الخليج لفتحات التكييف المركزي

GULF GRILLES CO.



DISC VALVES



Disc valves are an aesthetically pleasing terminal device which combine good appearance with accurate control over exhaust air volumes.

- Construction** : A disc fitted to a spindle is mounted into a deepened conical outer border. The disc can be fixed by means of a counternut. The valve is kept in the mounting ring by twisting in the ring. The valve is fitted with a foam-rubber gasket to form an airtight seal with the mounting.
- Material** : The valve is manufactured from high quality sheet steel and is polyester powder coated with a white color finish.
- Fitting Instructions** : The mounting ring is fitted in the opening of the wall. Twist the valve into the ring.
- Finish** : Standard finish for white color. Painted under electrostatic polyester powder coated system. Other colors available on request. The polyester powder of highest quality are used to enhance the appearance of the units.
- Application** : These units are widely used for exhaust inlets in wash rooms and bath rooms.

INCHES							
Nominal Size	A. Ø	B. Ø	C. Ø	D. Ø	E	F	G (Opening Size)
4"	5.39	2.95	3.86	5.12	1.58	1.1	4.125
6"	7.99	4.73	5.83	7.01	1.97	1.1	6.125
8"	9.84	6.30	7.80	9.13	2.56	1.1	8.125

# PERFORMANCE DATA

## DX15 - 4X

Setting	Air flow (CFM)	15	20	25	30	35	40	45	50	60	70	80	90	100
-3/8"	SP	.30	.60	.98										
	NC	<20	20	25										
-1/4"	SP	-	.24	.38	.58	.80	1.1							
	NC	-	<20	<20	23	25	26							
-1/8"	SP	-	-	.22	.32	.47	.60	.80	.95					
	NC	-	-	<20	<20	22	24	26	28					
0	SP	-	-	-	.23	.32	.46	.60	.78	.98	1.2			
	NC	-	-	-	<20	20	22	24	26	32	34			
1/8"	SP	-	-	-	-	.22	.28	.40	.52	.64	.84	1.15		
	NC	-	-	-	-	<20	<20	22	24	26	32	38		
1/4"	SP	-	-	-	-	-	.20	.28	.34	.45	.58	.80	1.05	
	NC	-	-	-	-	-	<20	<20	22	25	28	33	42	
3/8"	SP	-	-	-	-	-	-	.20	.28	.34	.47	.60	.82	1.05
	NC	-	-	-	-	-	-	<20	<20	23	25	29	38	45
1/2"	SP	-	-	-	-	-	-	-	.18	.27	.33	.40	.60	.80
	NC	-	-	-	-	-	-	-	<20	20	25	26	32	38



## DX15 - 6X

Setting	Air flow (CFM)	30	35	40	50	60	70	80	90	100	120	140	160	180
-1/4"	SP	.33	.48	.63	1.4									
	NC	<20	21	24	32									
-1/8"	SP	-	.18	.25	.40	.60	.78	1.07						
	NC	-	<20	<20	21	25	31	34						
0	SP	-	-	-	.24	.33	.42	.59	.78	1.0				
	NC	-	-	-	<20	20	23	26	34	40				
1/4"	SP	-	-	-	-	-	-	.22	.29	.36	.60	.80	1.08	
	NC	-	-	-	-	-	-	<20	<20	22	31	35	42	
1/2"	SP	-	-	-	-	-	-	-	.21	.26	.40	.56	.76	.98
	NC	-	-	-	-	-	-	-	<20	<20	24	28	35	45

### PERFORMANCE NOTES:

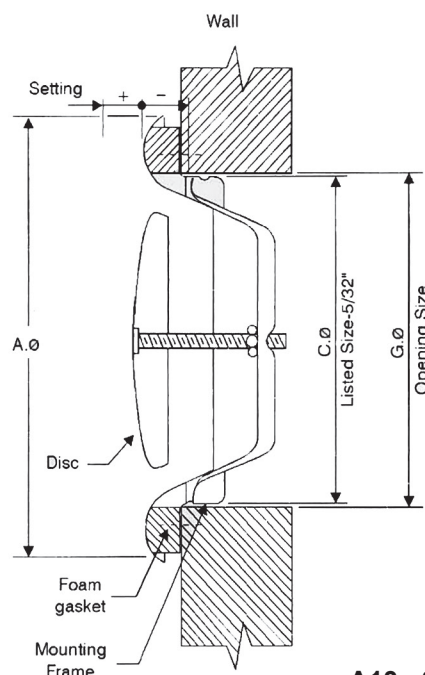
CFM - Cubic feet per minute.

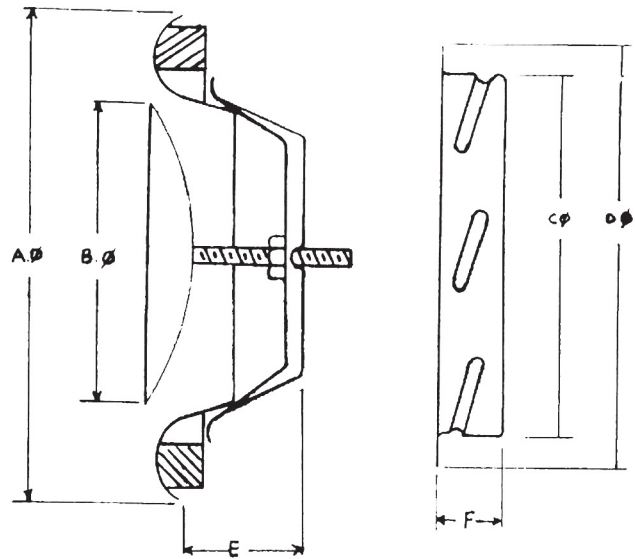
SP - Static pressure - inches of water.

NC - Sound pressure levels indicated correspond to a test of the disc valves mounted into the end of an air duct of 300 mm length in a room having a total absorption of 4dB.

## DX15 - 8X

Setting	Air flow (CFM)	40	50	60	70	80	100	120	140	160	180	200	220	240
-25/32"	SP	.39	.61	.92										
	NC	22	31	35										
-19/32"	SP	-	.21	.31	.42	.55								
	NC	-	<20	20	23	26								
-25/64"	SP	-	-	.16	.23	.30	.48	.72						
	NC	-	-	<20	<20	22	28	33						
-3/16"	SP	-	-	-	-	-	.28	.40	.45	.71	.92			
	NC	-	-	-	-	-	22	26	30	34	38			
0	SP	-	-	-	-	-	.17	.27	.30	.46	.61	.74		
	NC	-	-	-	-	-	<20	23	26	31	36	38		
3/16"	SP	-	-	-	-	-	-	.17	.21	.31	.40	.50	.60	.73
	NC	-	-	-	-	-	-	<20	23	26	30	32	36	38
25/64"	SP	-	-	-	-	-	-	-	.25	.31	.38	.48	.58	
	NC	-	-	-	-	-	-	-	23	26	28	32	35	
19/32"	SP	-	-	-	-	-	-	-	.19	.25	.28	.33	.42	
	NC	-	-	-	-	-	-	-	<20	23	25	27	33	
25/32"	SP	-	-	-	-	-	-	-	.19	.22	.27	.31		
	NC	-	-	-	-	-	-	-	23	24	25	28		
63/64"	SP	-	-	-	-	-	-	-	-	.17	.21	.26		
	NC	-	-	-	-	-	-	-	-	<20	24	25		





Disc valves are an aesthetically pleasing terminal device which combine good appearance with accurate control over supply air volumes.

- **Construction** : A disc fitted a spindle is mounted into a deepened conical outer border. The disc can be fixed by means of a counternut. The valve is kept in the mounting ring by twisting in the ring. The valve is fitted with a foam-rubber gasket to form an airtight seal with the mounting.
- **Material** : The valve is manufactured from high quality sheet steel and is polyester powder coated with a white color finish.

- **Fitting Instructions** : The mounting ring is fitted in the opening of the wall. Twist the valve into the ring.
- **Finish** : Standard finish for white color. Painted under electrostatic polyester powder coated system. Other colors available on request. The polyester powder of highest quality are used to enhance the appearance of the unit.
- **Application** : These units are used for supply units in some of the air conditioning systems.

INCHES							
Normal Size	A. Ø	B.Ø	C.Ø	D.Ø	E	F	G (Opening Size)
4"	5.39	2.95	3.86	5.12	1.58	1.1	4.125
6"	7.99	4.73	5.83	7.01	1.97	1.1	6.125
8"	9.84	6.30	7.80	9.13	2.56	1.1	8.125

PERFORMANCE DATA

DX15-S4

Setting	Air Flow (CFM)	15	20	25	30	35	40	45	50	60	70	80	90	100
-1/8"	SP	.208	.368	.54	.78									
	NC	-	30	35	40									
o	SP		.14	.188	.288	.392								
	NC		-	30	35	40								
+ 1/8"	SP				.148	.196	.256	.304	.308					
	NC				-	30	35	35	40					
+1/4"	SP						.148	.172	.224	.038				
	NC						-	30	35	40				
+1/2"	SP									.14	.168	.26	.304	.375
	NC									-	30	35	40	45

	Terminal Velocity	THROW - in (feet)												
-1/8"	50 FPM	3	4	4	5									
+1/8"	50 FPM	2	2	3	4	4	5	5	6					
+1/2"	50 FPM	1	2	2	3	3	4	4	5	5	6	7	8	



DX15-S6

	CFM	35	40	45	50	60	70	80	90	100	120	140	160	180
-1/8"	SP	.096	.128	.16	.208	.288								
	NC	-	25	30	35	40								
o	SP			.096	.128	.18	.244	.344						
	NC			-	25	30	35	40						
+ 1/8"	SP				.088	.124	.168	.228	.284	.328				
	NC				-	25	25	30	35	40				
+1/4"	SP						.108	.148	.184	.22	.32	.50		
	NC						-	25	30	30	35	40		
+1/2"	SP								.072	.088	.132	.192	.24	.312
	NC								-	25	30	35	35	40

	Terminal Velocity	THROW - in (feet)												
o	50 FPM	2	2	3	3	4	5	5						
+1/4"	50 FPM	2	2	2	3	3	4	4	5	5	6	7		
+1/2"	50 FPM	1	1	2	2	2	3	3	4	4	5	6	6	7

PERFORMANCE NOTES:

CFM - Cubic feet per minute.

SP. - Static pressure - inches of water.

NC. - Sound pressure levels indicated correspond to a test of the disc valves mounted into the end of an air duct of 300mm length in a room having a total absorption of 4dB.

DX15-S8

	CFM	40	45	50	60	70	80	90	100	120	140	160	180	200
-1/8"	SP	.208	.26	.32	.44									
	NC	30	30	35	40									
o	SP		.152	.188	.252	.328								
	NC		-	30	35	40								
+ 1/8"	SP				.156	.20	.26	.324						
	NC				-	30	35	40						
+1/4"	SP							.18	.212	.288	.40			
	NC							-	30	35	40			
+1/2"	SP										.152	.188	.214	.36
	NC										-	30	35	40

	Terminal Velocity	THROW - in (feet)												
-1/8"	50 FPM	3	3	4	4	5								
+1/4"	50 FPM	2	2	2	3	3	4	4	5	5	6	7		
+1/2"	50 FPM	1	2	2	2	3	3	4	4	5	6	6	7	7

