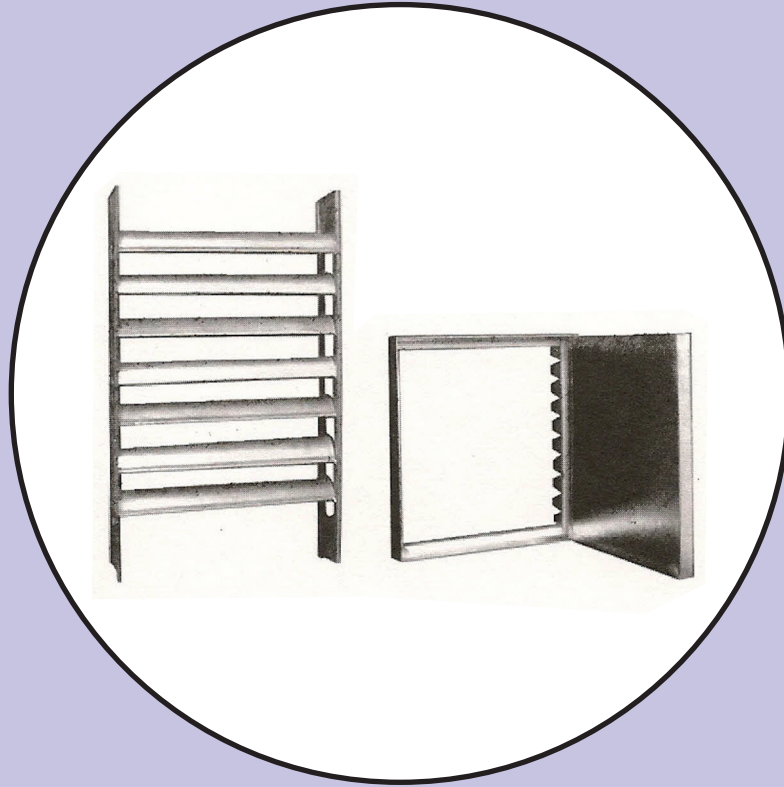


جي جي سي

G G C

شركة الخليج لفتحات التكييف المركزي

GULF GRILLES CO.

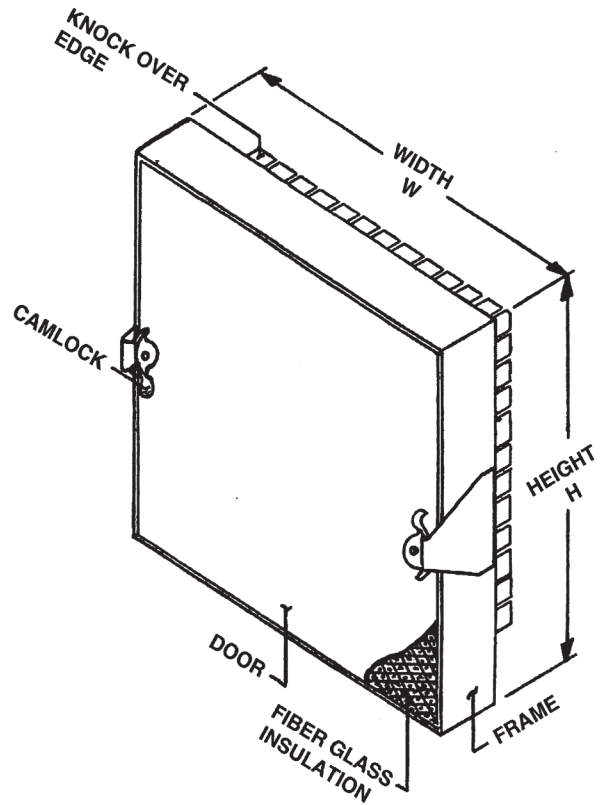


DUCT
ACCESSORIES

B07
DUCT
ACCESSORIES

STANDARD CONSTRUCTION

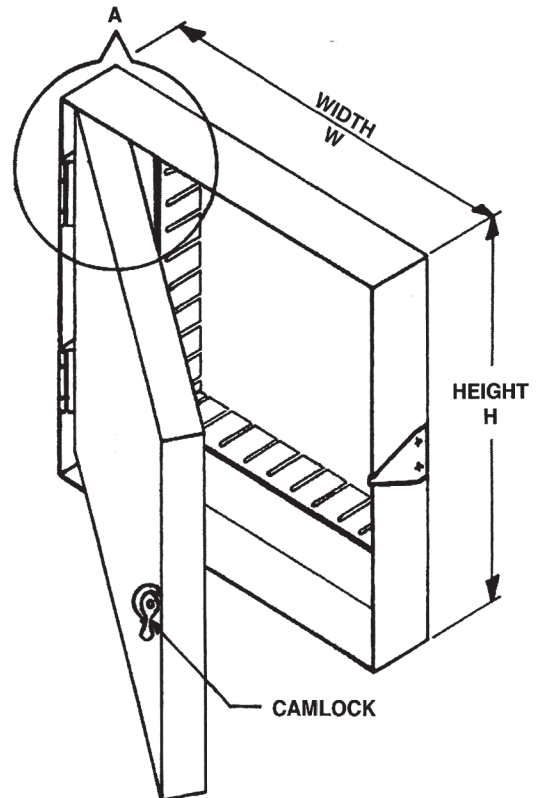
- **Frame** : 24 Gauge galvanized steel.
 - **Door Frame** : 24 Gauge galvanized steel.
 - **Seals** : Neoprene gasket.
 - **Insulation** : 1" thick Fiberglass.
 - **Hinges** : Self oiling hinges, spot welded into the frame.
 - **Latch(es)** : Zinc plated sash type with Zinc plated steel strikes.
 - **Finish** : Mill galvanized.
- Note** : Hinge always furnished on "H" or height dimension.



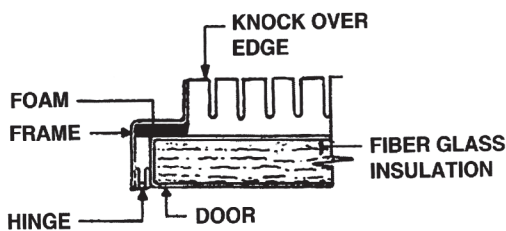
FEATURES

- **Quick Easy Installation** : Bottom edge will be notched knock over for easy fixing unto the duct.
- **Insulated Door** : Fiberglass is not affected by moisture, oil and grease.
- **Cam Lock** : Closes door tightly.

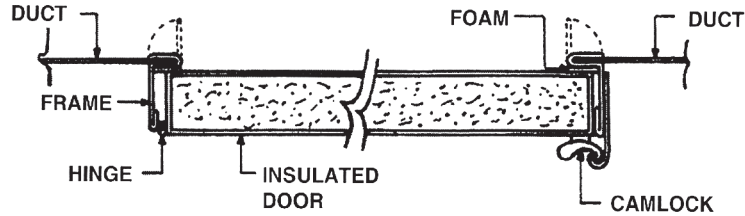
Model : DA65 - C (Cam Type)



Model : DA65 - H (Hinge Type)



INSTALLATION DETAILS

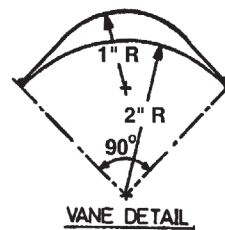
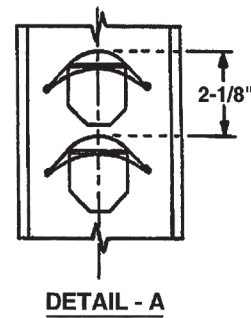
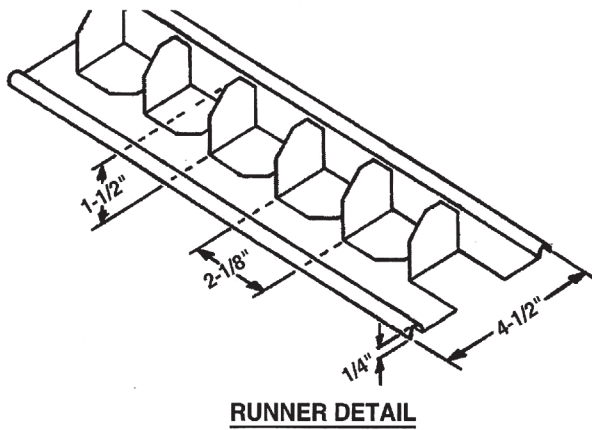
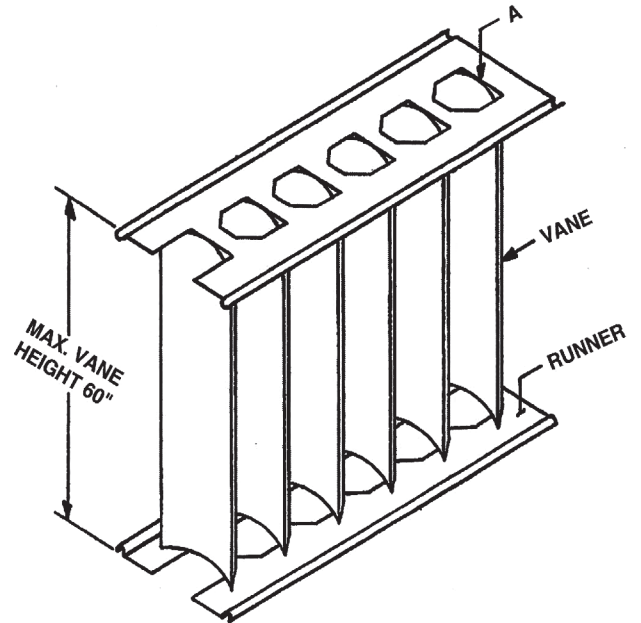


STANDARD SIZES (outside frame sizes)			
Sizes In.	Dimension W. Width In.	Dimension H. Height In.	Duct Opening In.
6 x 6	6	6	4-7/8 x 4-7/8
8 x 8	8	8	6-7/8 x 6-7/8
10 x 8	10	8	8-7/8 x 6-7/8
10 x 10	10	10	8-7/8 x 8-7/8
12 x 10	12	10	10-7/8 x 8-7/8
14 x 10	14	10	12-7/8 x 8-7/8
12 x 12	12	12	10-7/8 x 10-7/8
14 x 12	14	12	12-7/8 x 10-7/8
16 x 12	16	12	14-7/8 x 10-7/8
18 x 12	18	12	16-7/8 x 10-7/8
14 x 14	14	14	12-7/8 x 12-7/8
16 x 14	16	14	14-7/8 x 12-7/8
18 x 14	18	14	16-7/8 x 12-7/8
16 x 16	16	16	14-7/8 x 14-7/8
18 x 16	18	16	16-7/8 x 14-7/8
18 x 18	18	18	16-7/8 x 16-7/8
20 x 16	20	16	18-7/8 x 14-7/8
20 x 20	20	20	18-7/8 x 18-7/8
24 x 18	24	18	22-7/8 x 16-7/8
24 x 24	24	24	22-7/8 x 22-7/8

Note : Cut hole 1-1/8" smaller than door.
Other sizes available upon request.

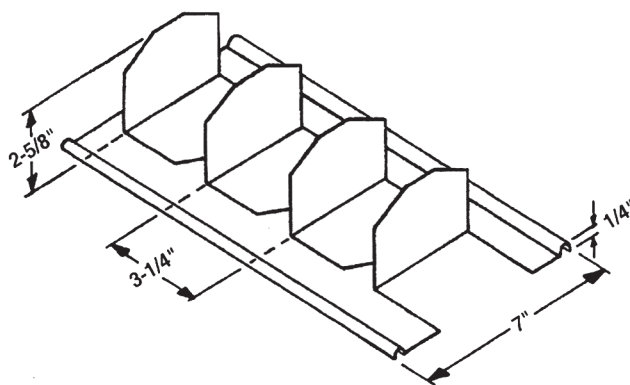
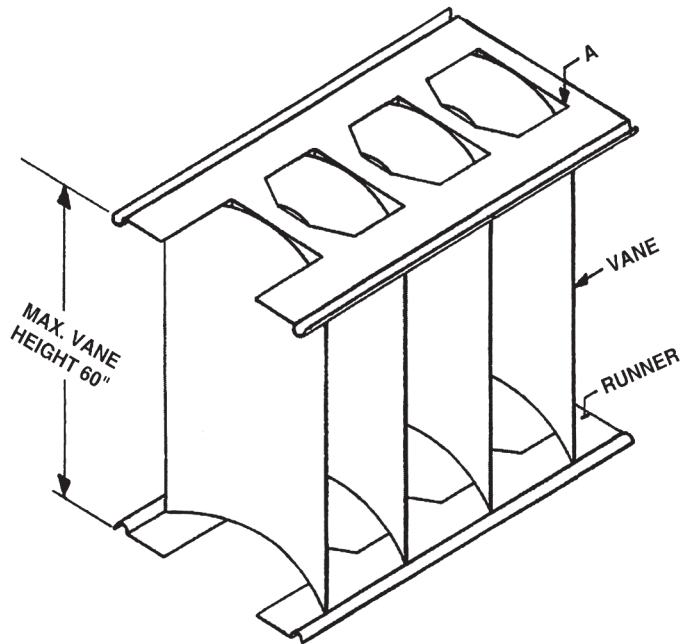
CONSTRUCTION AND APPLICATION

- **Vanes** : Made of 26 gauge galvanized steel spaced at 2-1/8" center to center as standard.
- **Rail** : Made of 24 gauge galvanized steel.
- **Application** : Normally used on square elbows in HVAC duct system; provide turbulence free air.

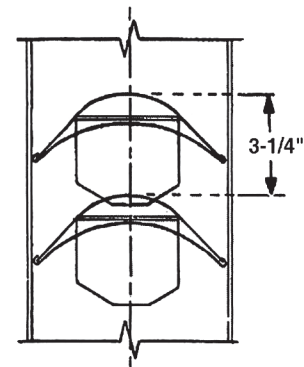


CONSTRUCTION AND APPLICATION

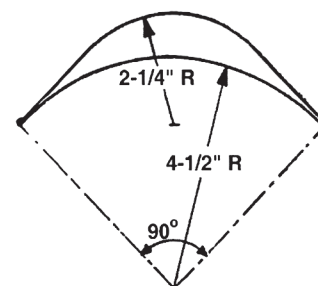
- **Vanes** : Made of 24 gauge galvanized steel spaced at 3-1/4" center to center as standard.
- **Rail** : Made of 22 gauge galvanized steel.
- **Application** : Normally used on square elbows in HVAC duct system; provide turbulence free air.



RUNNER DETAIL



DETAIL - A

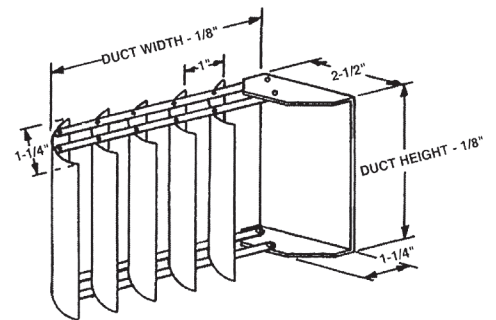


VANE DETAIL

PRODUCT DESCRIPTION

- **Construction** : The vanes are 24 gauge and the base is 18 gauge galvanized steel.
- **Vanes** : Positioned in 1" centers; vanes parallel to height dimension as standard.
- **Minimum Size** : 6" x 4" (W x H).
- **Maximum Size** : 48" x 24" (W x H) (Available only in 1" increments, maximum height of 1 - section -12"; sizes above 12" vane height made in sections).
- **Application** : The carefully designed vane cross-section minimizes pressure drop and turbulence. The extractor provides uniform air distribution across the stubduct or diffuser neck. They are normally installed in branch duct connections during duct fabrication; pre-set fixed to the desired angle.

Note : Aluminum construction available.

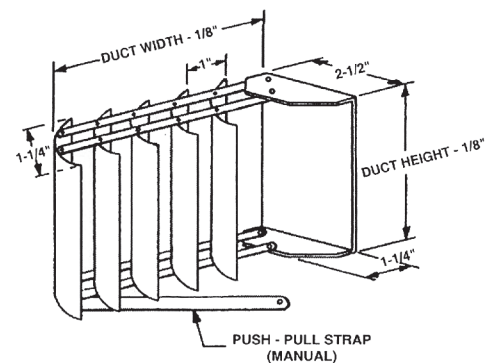


Model : AY75 - D

PRODUCT DESCRIPTION

- **Construction** : The vanes are 24 gauge, the base is 18 gauge and straps are 16 gauge galvanized steel.
- **Vanes** : Positioned in 1" centers; vanes parallel to height dimension as standard.
- **Minimum Size** : 6" x 4" (W x H).
- **Maximum Size** : 48" x 24" (W x H) (Available only in 1" increments, maximum height of 1 - section -12"; sizes above 12" vane height made in sections).
- **Operator** : Manual push-pull strap furnished.
- **Application** : They are recommended for installations in short boots or drops leading to supply outlets. The manual operator strap provides for adjustment of the extractor angle after installation. Once supply outlet has been properly balanced, the push-pull operator strap should be secured to the duct to prevent unauthorized tampering with air balance.

Note : Aluminum construction available.

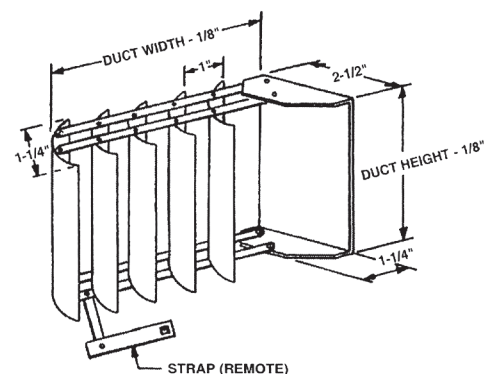


Model : AY75 - P

PRODUCT DESCRIPTION

- **Construction** : The vanes are 24 gauge, the base is 18 gauge and straps are 16 gauge galvanized steel.
- **Vanes** : Positioned in 1" centers; vanes parallel to height dimension as standard.
- **Minimum Size** : 6" x 4" (W x H).
- **Maximum Size** : 48" x 24" (W x H) (Available only in 1" increments, maximum height of 1 - section -12"; sizes above 12" vane height made in sections).
- **Operator** : Provided strap for right angle operation by remote control.
- **Application** : They are equipped with special actuator straps for use with quadrants or remote knob operators mounted at the ceiling surface. This type operator eliminates the need for a ceiling access panel for extractor adjustment. They may be use efficiently in place of duct dampers to affect branch balancing.

Note : Aluminum construction available.



Model : AY75 - R

INSTALLATION DETAILS

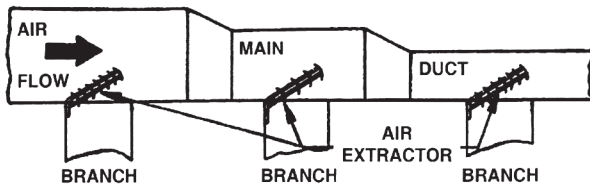


FIGURE 1

MODEL : AY75 - D MOUNTED IN BRANCH DUCT CONNECTIONS

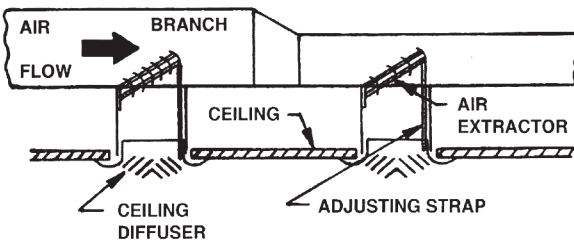
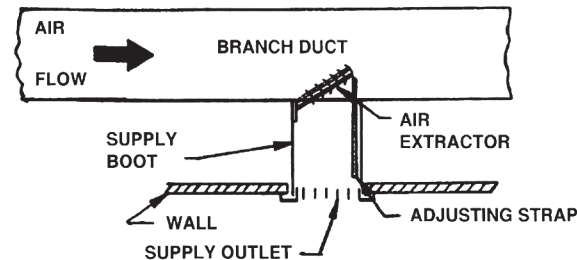


FIGURE 2

MODEL : AY75 - P MOUNTED IN DROP AND BOOT CONNECTIONS

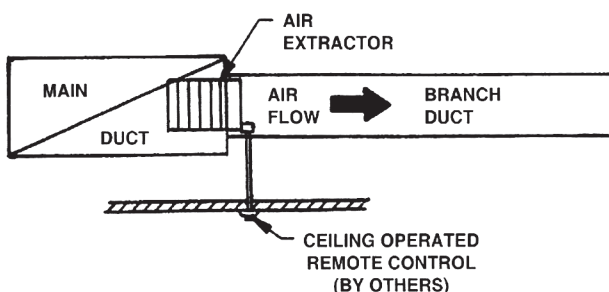


FIGURE 3

MODEL : AY75 - R MOUNTED IN BRANCH DUCT CONNECTIONS (REMOTE CONTROL OPERATOR)

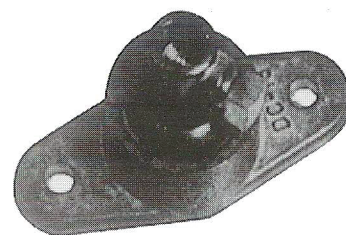
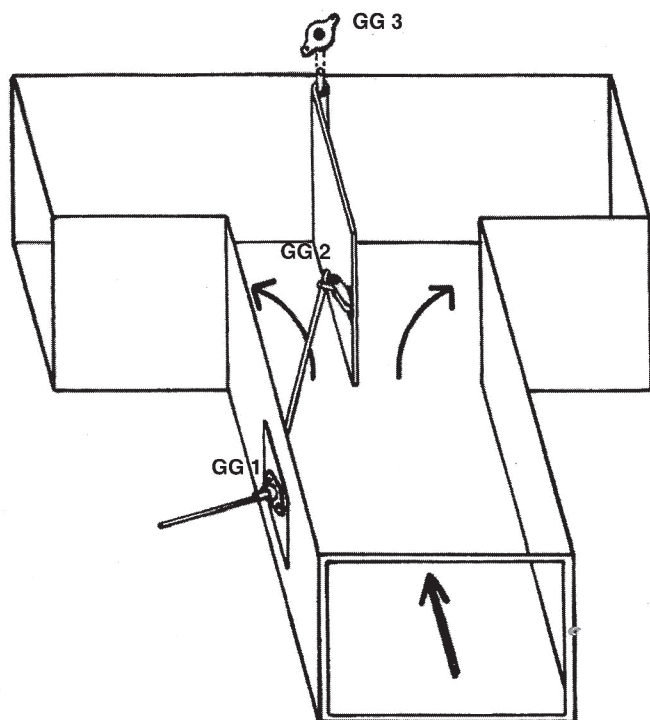
Air Extractors installed at main or branch duct connections efficiently extract, equalize and control air flow into take-offs, minimizing air turning pressure losses and eliminating the need for expensive radius fittings.

Figure 1 shows model AY75-D air extractors installed at branch duct connections to the main supply duct. For proper installation in the branch or boot connection air extractors should be inserted in the closed position, locating the entering or upstream edge of the turning vanes parallel to the exterior wall of the main. The air extractor mounting bracket is then either screwed or riveted to the branch duct wall. Air extractor turning vanes are gang-operated, and remain parallel to the duct air flow regardless of the setting. Air extractors should be used only in duct sufficiently wide to allow unrestricted air flow pattern when the unit is in the full open position. Air extractor projection into the main should not exceed 2/3 of the available duct width.

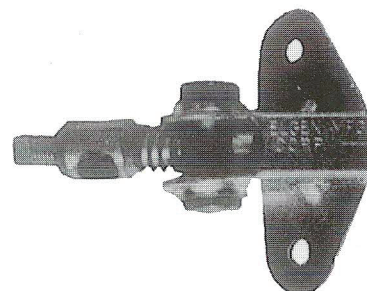
Figure 2 indicates typical installations of Model AY75-P air extractor for both ceiling diffuser and sidewall supply applications. Model AY75-P unit is equipped with adjusting straps to provide a means of setting the vane assembly after installation. The push-pull style operator, when secured to the duct wall, insures fixing of the vane position against higher duct statics and air velocities.

Figure 3 gives a typical installation detail of air extractor Model AY75-R with strap operators. Air extractor strap operators are designed for remote branch duct connections requiring adjustment of the extractor after installation; normally for balancing purposes. The strap style operator may be used in conjunction with remote ceiling operators or exterior duct quadrants. This models wider than 15" should be installed using a support shelf or cross brace to preclude sagging.

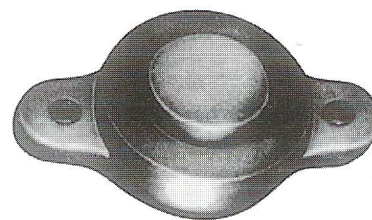
SPLITTER DAMPERS



GG 1



GG 2



GG 3

SPLITTER DAMPER SETS & PARTS

Rod Operated Type

Feature rod type splitter damper hardware kit.
Consists of parts listed below with the following quantity.
GG1-1 ea, GG2-1 ea, GG3-2 ea, GG4-2 ea, GG5-1 ea.

Item No.	Description
GG1	Ball joint damper casting and screws
GG2	Splitter damper bracket
GG3	Two (2) end plate cap
GG4	Two (2) spring lock bearing
GG5	Use for operation rod (1/4" Ø 4 ft. long)

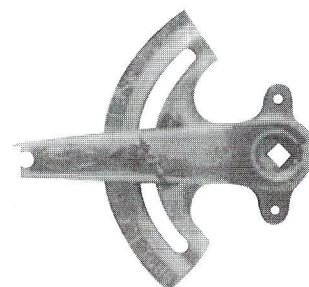


GG 4

Hand Quadrant Operated Type

Feature hand quadrant type splitter damper hardware kit.
Consists of parts listed below with the following quantity.
GC6-1 ea, GG3-1 ea, GC7-1 ea.

Item No.	Description
GC6	Hand Quadrant (Standard Shaft Hole Size 1/2" ⌀)
GG3	One (1) end plate cap
GC7	Shaft (3/8" Gal. 4' long)



GC 6